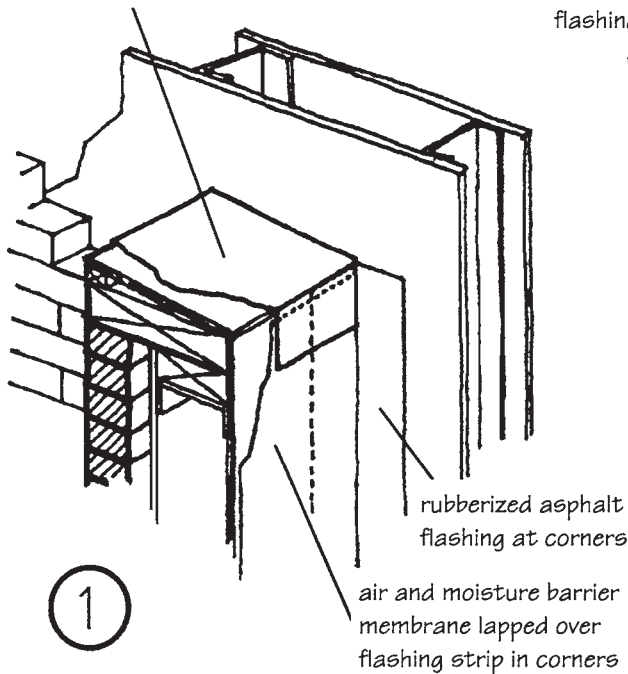
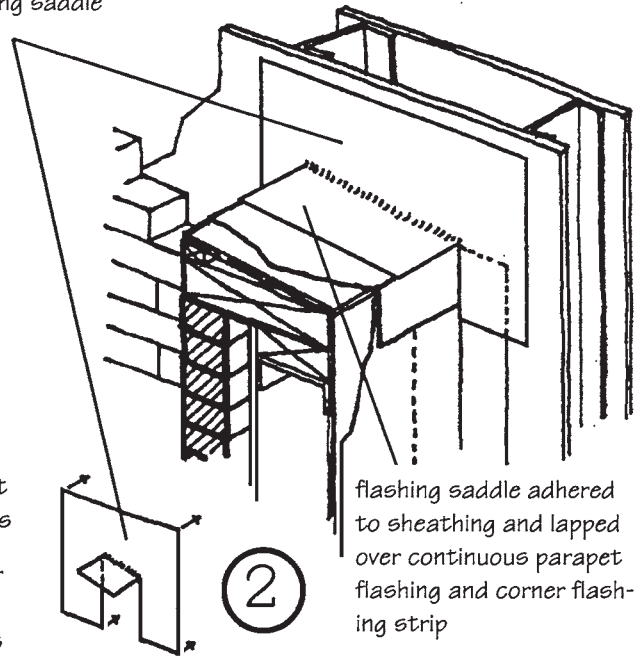


rubberized asphalt flashing continuous over parapet and lapped over top of air and moisture barrier membrane



rubberized asphalt flashing saddle



air and moisture barrier membrane lapped over rubberized asphalt saddle flashing and vertical leg of metal coping

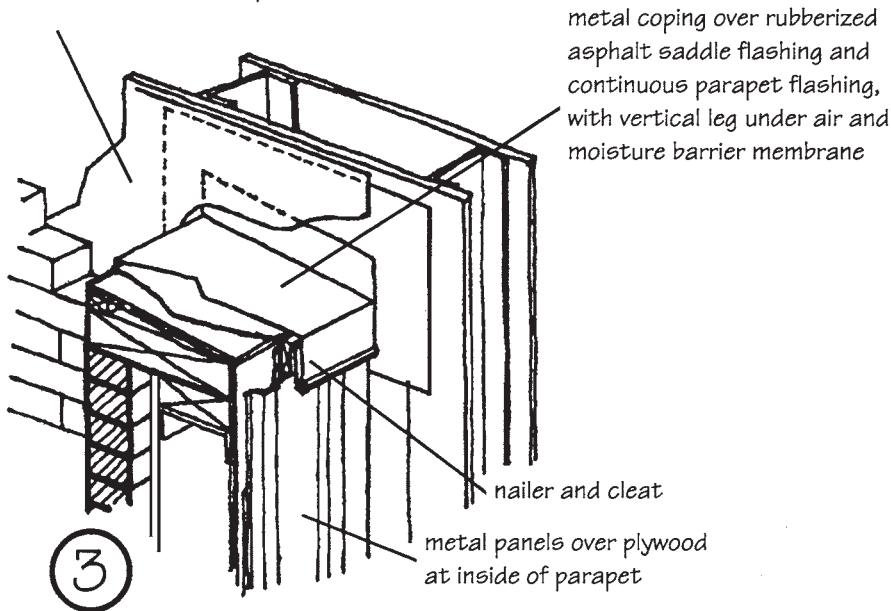


Figure 10-59 Flashing at parapet-to-wall intersection.

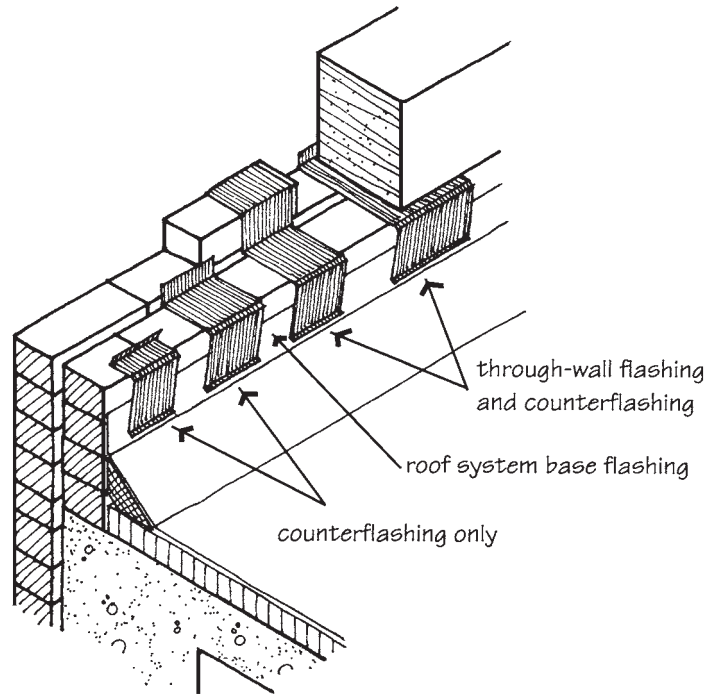


Figure 10-60 Counterflashing and through-wall flashing/counter flashing combinations.